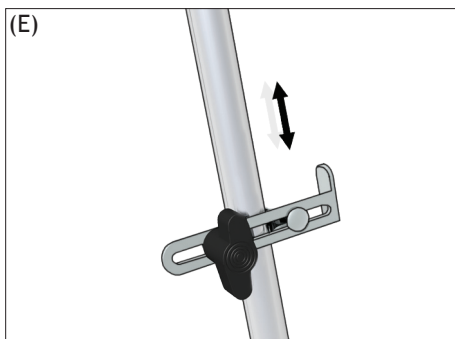
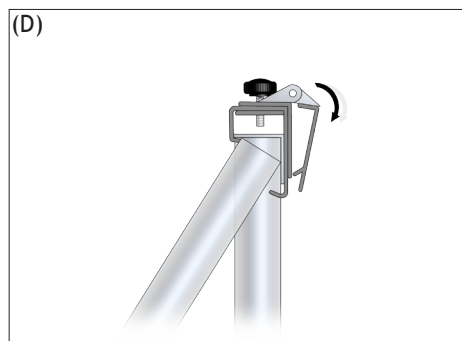
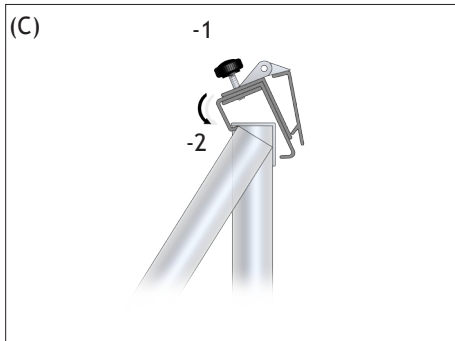
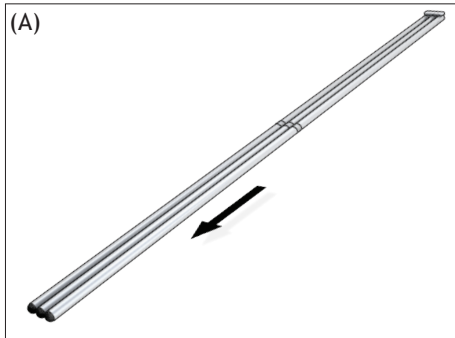


# Display Easel

1. Adjust telescopic leg length (fig. A).
2. Open easel (fig. B).
3. (if using top bar ) Unscrew knobs until they are almost out (fig. C-1), then hook back of top bar into easel (fig. C-2).
4. Swing top bar downwards to hook into easel and retighten knobs (fig. D).
5. Adjust lower canvas supports (fig. E).



## Applicable Products:

350, 350B (without top bar)  
350TZ, 350TZB (with top bar)

